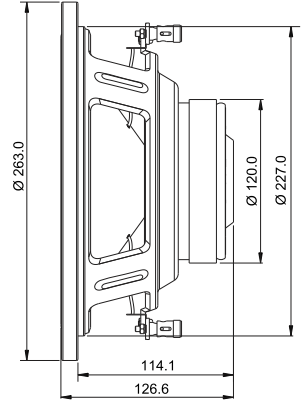
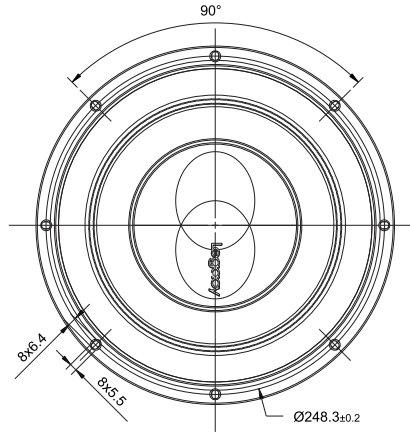


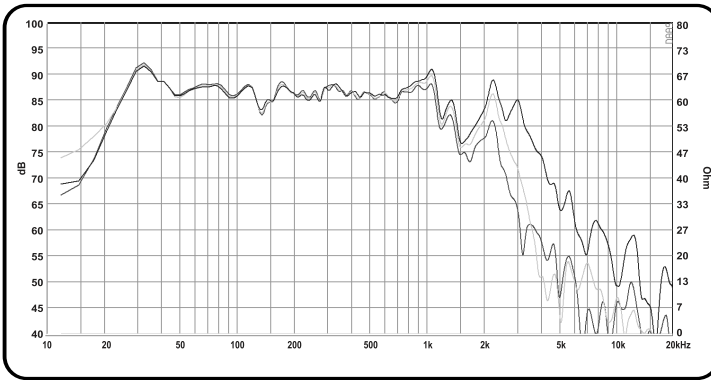
# LG-1095-2 MK<sub>1</sub>

Legacy | 10 Inch - Subwoofer

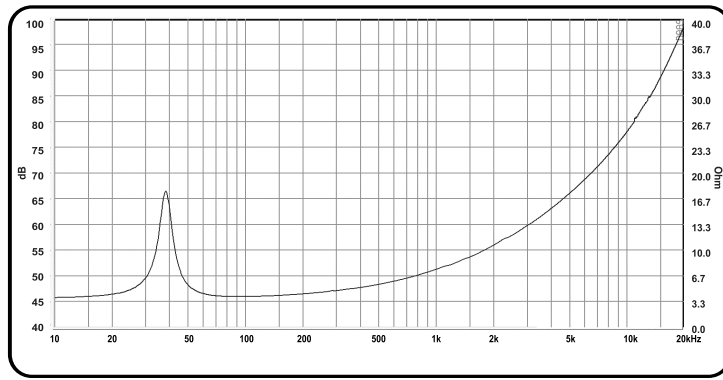
# Legacy



## Respon Frekuensi



## Impedansi



## Spesifikasi

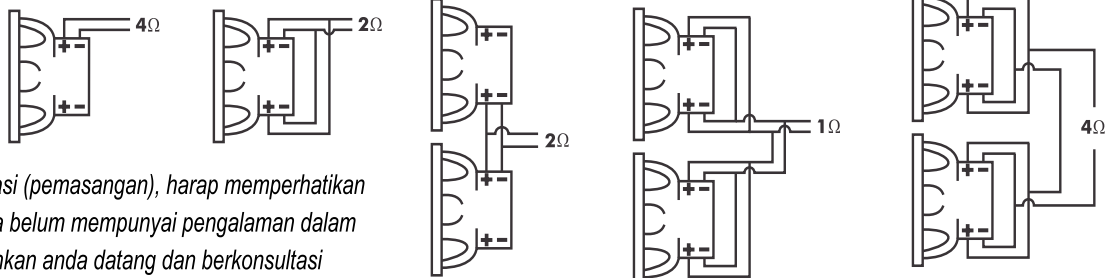
Diameter Speaker (inch/mm)	10 inch / 254 mm
Impedansi (Ω)	4 Ω
Nominal power handling (Watt) <sup>1</sup>	150 Watt
Program power (Watt) <sup>2</sup>	300 Watt
Lebar daerah frekuensi (Hz)	38 Hz - 3600 Hz
SPL (2.83 V / 1 m) (dB)	86.5 dB
Medan magnet (T)	0.74 T
Berat magnet (Kg/Oz)	0.81 kg / 28.5 Oz
Voice coil diameter (mm)	49.5 mm
Voice coil material	ASV

## Parameter "Thiele-Small"

	2Ω	4Ω
Frekuensi Resonansi / Fs (Hz)	38 Hz	38 Hz
DCR (Ω)	1.8 Ω	3.6 Ω
Qts	0.72	1.31
Qes	0.81	1.65
Qms	6.38	6.31
Mms (g)	85.5 g	85.8 g
Cms (mm/N)	0.21 mm/N	0.21 mm/N
BL Product (Tm)	6.7 Tm	6.7 Tm
Vas (liters)	36.3 liters	35.9 liters
No (%)	0.23 %	0.11 %
Sd (cm <sup>2</sup> )	353 cm <sup>2</sup>	353 cm <sup>2</sup>
Xmax (mm)	7.8 mm	7.8 mm

(<sup>1</sup>) AES standard, test mode with continuous pink noise signal (6 dB crest factor; 2 hours) within the Fo to 10Fo power calculated on rated nominal impedance. Loudspeaker in free air  
 (<sup>2</sup>) Power on continuous program is defined as 3dB greater than nominal power handling.

## Instalasi



## Perhatian!

Sebelum memulai instalasi (pemasangan), harap memperhatikan instalasi dasar. Jika anda belum mempunyai pengalaman dalam pemasangan, kami sarankan anda datang dan berkonsultasi dengan dealer yang terdekat.

Rev.0 (16.05.2019)