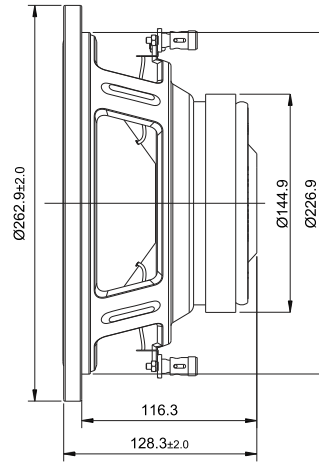
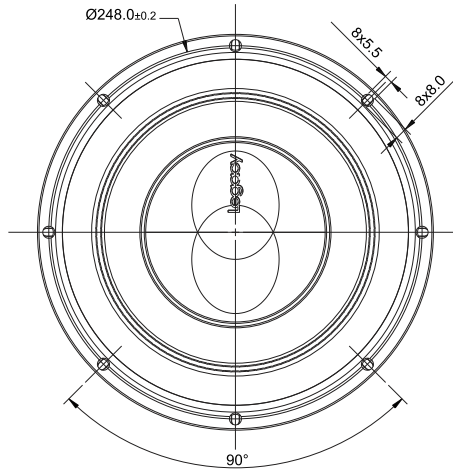
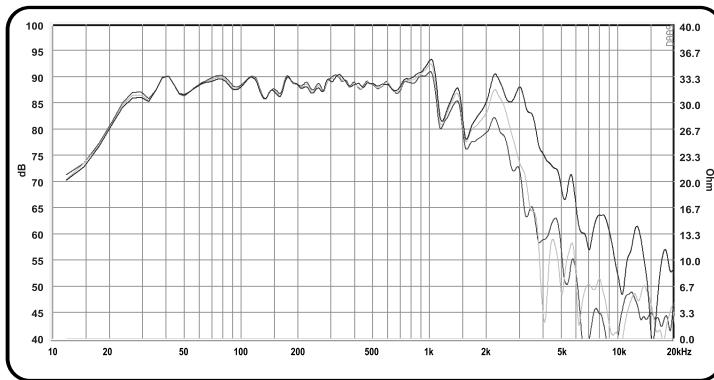


LG-1096-2-MK₁

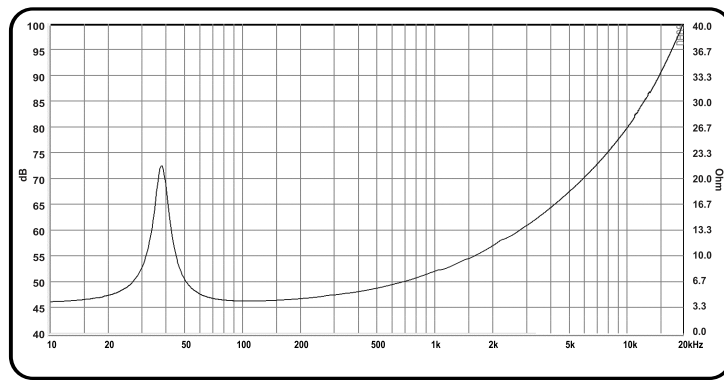
Legacy | 10 Inch - Subwoofer



Respon Frekuensi



Impedansi



Spesifikasi

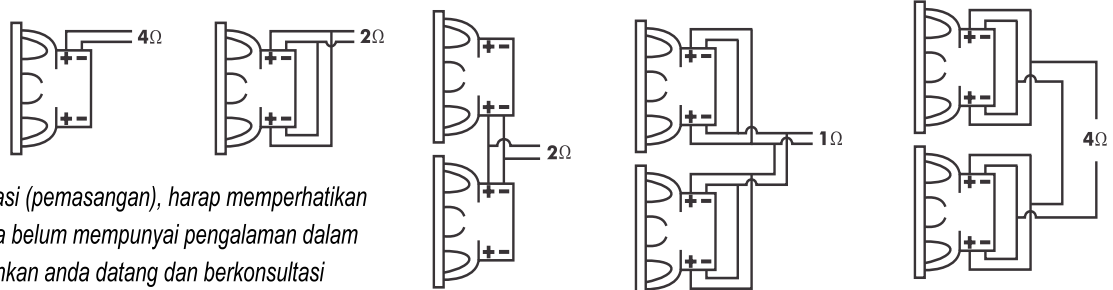
Diameter Speaker (inch/mm)	10 inch / 254 mm
Impedansi (Ω)	4 Ω
Nominal power handling (Watt) ¹	150 Watt
Program power (Watt) ²	300 Watt
Lebar daerah frekuensi (Hz)	38 Hz - 3750 Hz
SPL (2.83 V / 1 m) (dB)	88 dB
Medan magnet (T)	0.8 T
Berat magnet (Kg/Oz)	1.16 kg / 40.6 Oz
Voice coil diameter (mm)	49.5 mm
Voice coil material	ASV

Parameter "Thiele-Small"

	2Ω	4Ω
Frekuensi Resonansi / Fs (Hz)	38 Hz	38 Hz
DCR (Ω)	1.8 Ω	3.6 Ω
Qts	0.53	0.91
Qes	0.59	1.09
Qms	5.58	5.37
Mms (g)	84.6 g	83.4 g
Cms (mm/N)	0.21 mm/N	0.21 mm/N
BL Product (Tm)	7.9 Tm	8.1 Tm
Vas (liters)	36.5 liters	37.2 liters
No (%)	0.32 %	0.18 %
Sd (cm ²)	353.0 cm ²	353.0 cm ²
Xmax (mm)	7.8 mm	7.8 mm

- (*) AES standard, test mode with continuous pink noise signal (6 dB crest factor; 2 hours) within the Fo to 10Fo power calculated on rated nominal impedance. Loudspeaker in free air
 - (²) Power on continuous program is defined as 3dB greater than nominal power handling.

Instalasi



Perhatian!

Sebelum memulai instalasi (pemasangan), harap memperhatikan instalasi dasar. Jika anda belum mempunyai pengalaman dalam pemasangan, kami sarankan anda datang dan berkonsultasi dengan dealer yang terdekat.

Rev.0 (22.05.2019)